



**Flow tested at
30 Gal
(US)/min**

Contents of package

Description	No of Units	Description	No of Units
Main Unit	1	No. of Grub Screws (each size)	3
Security Collar	1	Rubber Seal	1
External C-Clip	1	Internal C-Clip	1
Standard Red Ratchet	1	Hex Bit for Red Ratchet	1
Fitting Instructions	1		

Technical details

Description	Type	Description	
Type of neck Fitting	Internal	Material	Aluminium

Technical Specifications of the Grub Screws

Description	Measurements	Description	Measurements
Thread	¼" UNC	Length of Grub Screws	3/8"

Technical Specifications of the Seal (if applicable)

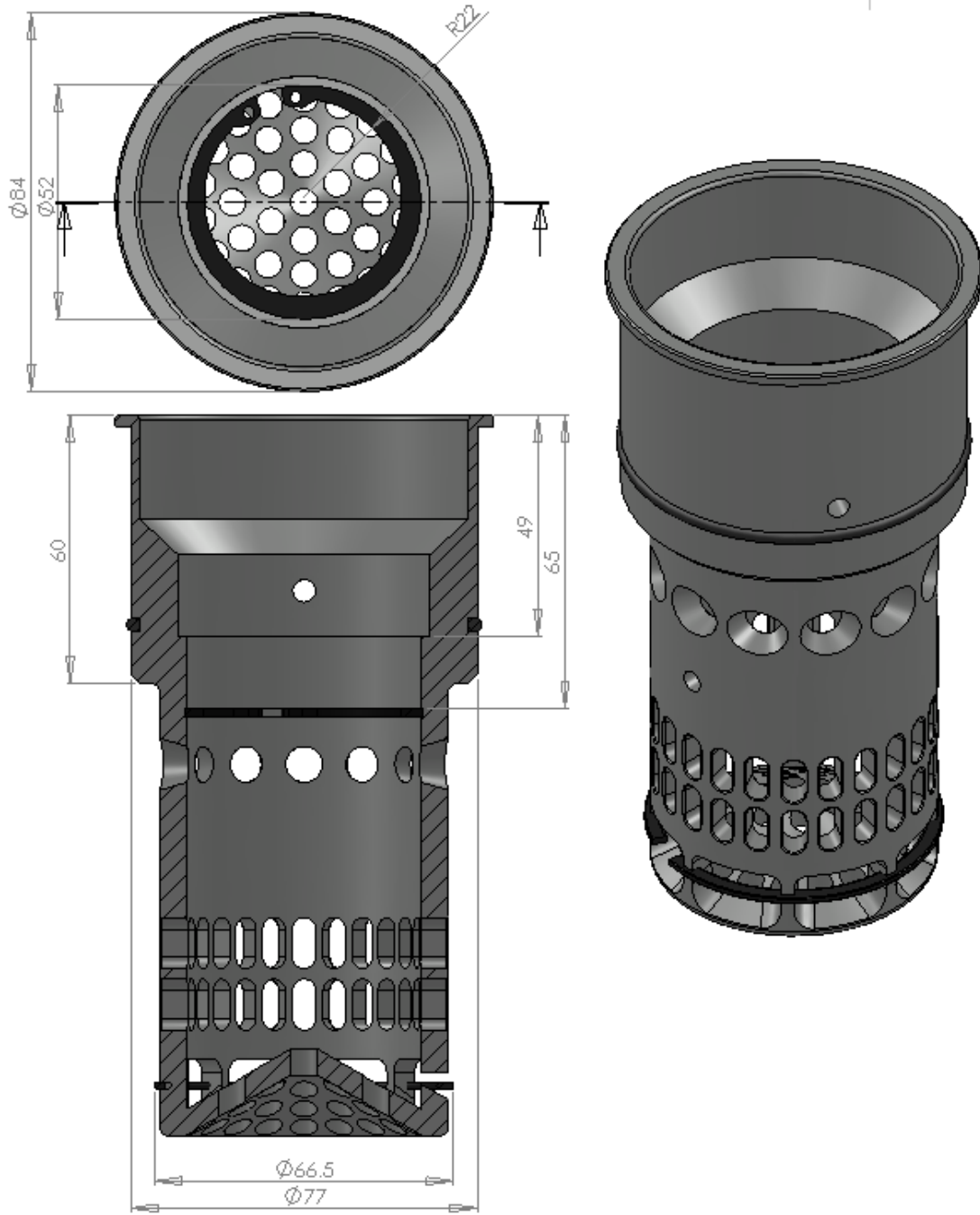
Description	Description		
Material Used	Viton	O-ring Diameter/Thickness	3mm

Specifications of the Packaged Product / Carton / Pallet

No. of Units within an outer carton	8	Number of Cartons per Pallet	72
Weight per Individual Boxed Unit	0.63kg	Dimensions of a packaged unit	92x92x170mm
Weight of outer carton	5.5kg	Dimensions of outer carton	380x200x195mm
Weight of pallet	415kg	Dimensions of pallet	1200x1000x1280mm



NI77 0002 (TP NI INTWS) Technical Information



Models Fitted

Manufacturer	Models
International	LoneStar, ProStar, TranStar, PayStar, WorkStar, 900 Series
Western Star	Premium Highway (4900EX, 4900 SA, 4900 FA, Low Max), Premium Vocational (4900EX, 4900 SA, 4900 FA, 6900XD), Severe/Extreme Duty (4900EX, 4900 SA, 4900 FA, 6900XD), Stratosphere

www.FuelDefend.com
info@FuelDefend.com

