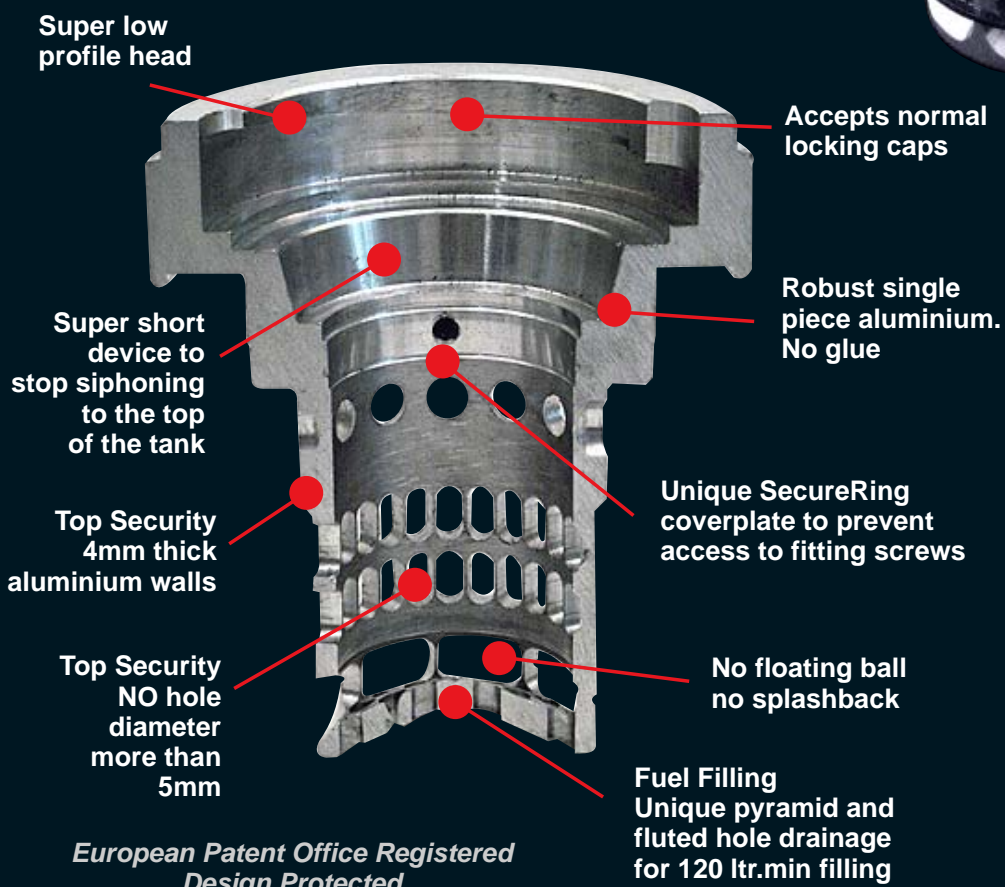


STOP FUEL THEFT NOW!



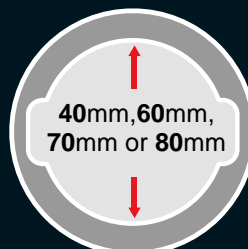
European Patent Office Registered
Design Protected



NECK-IT![®] ANTI-SIPHON

Fits all major brands

DAF, ERF, Foden, Hino, Iveco, Izuzu, MAN, Mercedes, Mitsubishi,
Renault, Scania, Toyota, Volvo and more...
Fits Trucks, Buses, Vans and Municipals



TANK NECK
Required
Measurement

CONTACT US TO BE A RESELLER

www.truckprotect.com
info@truckprotect.com

